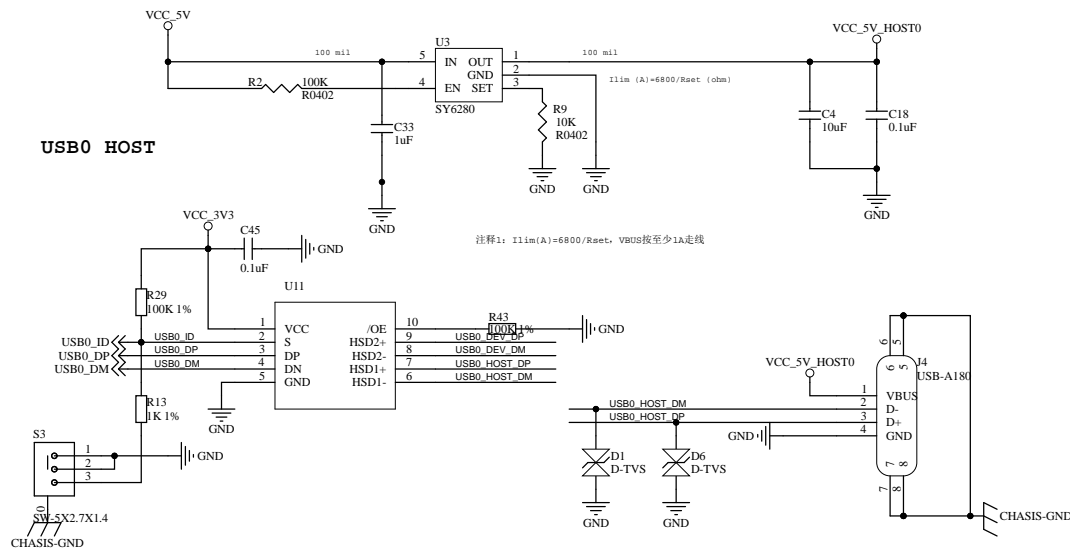
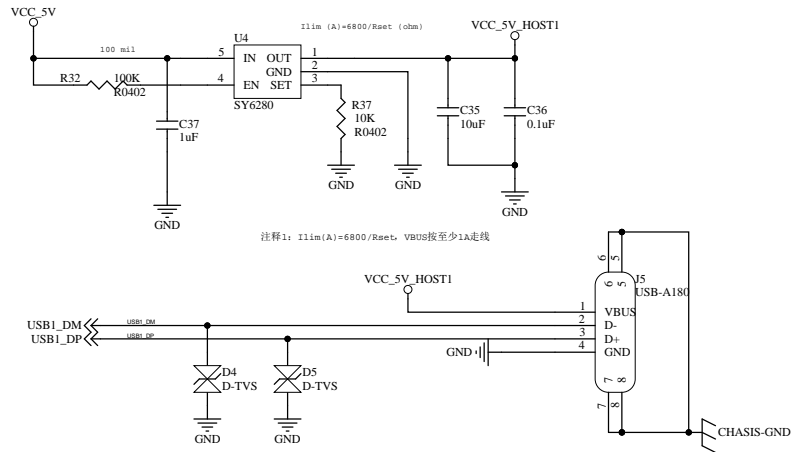


Title		
Size	Number	Revision
A4	11/28/2023	
Date:	11/28/2023	Sheet of
File:	D:\Data\...01-CPU-PWR.SchDoc	Drawn By:

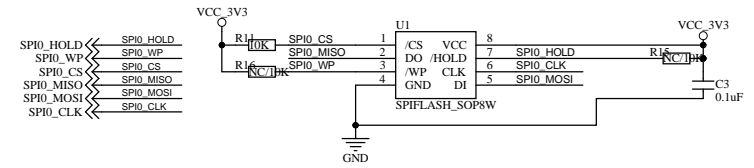
USB0 HOST



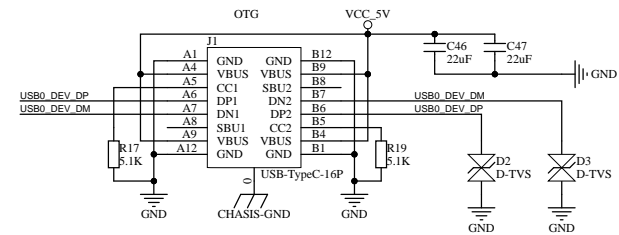
USB1 HOST



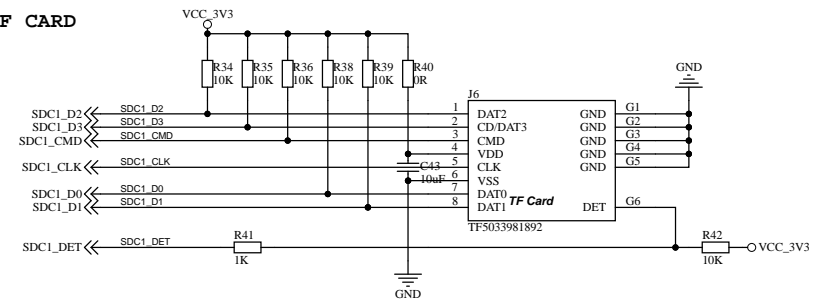
QSPI NAND



USB0 DEVICE TYPE-C

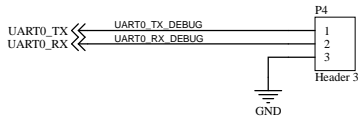


TF CARD

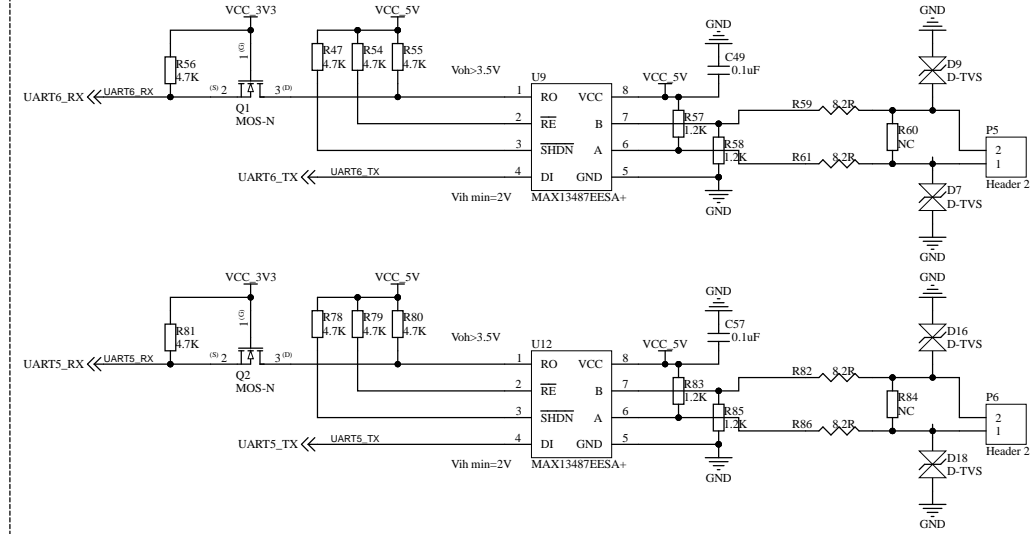
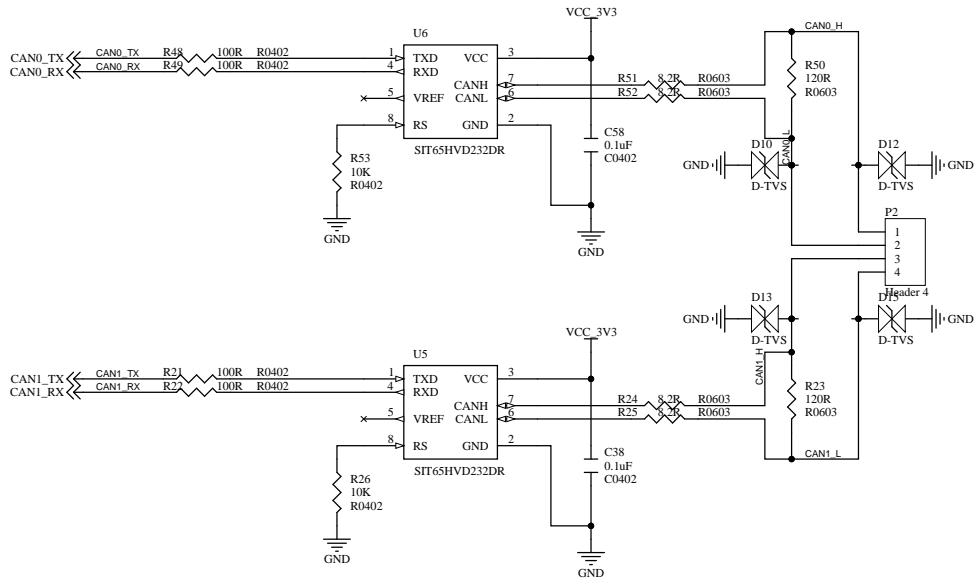


Title		
Size	Number	Revision
A4		
Date:	11/28/2023	Sheet of
File:	D:\Data\02-USB_TF.SchDoc	Drawn By:
		6

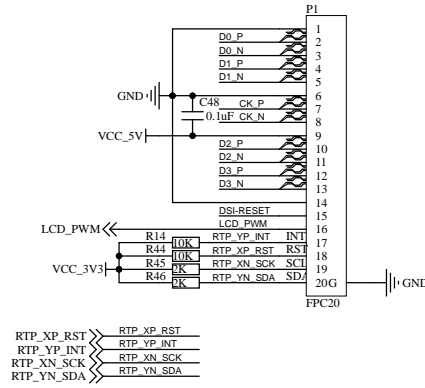
UART0 UART1&2&3



CAN



DSI/LVDS + CTP



Title		
Size	Number	Revision
A4		
Date:	11/28/2023	Sheet of
File:	D:\Data\...05-UART_CAN.SchDoc	Drawn By:
		6

